

# AS - 3310

---

## Analytical Balance



EPCC / PRODUCTS / APPLICATION / SOFTWARE / ACCESSORIES / CONSUMABLES / SERVICES

**Analytical Technologies Limited**

An ISO 9001 Certified Company

[www.analyticalgroup.net](http://www.analyticalgroup.net)

## ►► Functions

 Autotest	 Dosing
 Peak hold	 Formulation
 Checkweighing	 IR sensors
 Density determination	 Ambient conditions monitoring
 ALIBI Memory	 Mass for titrator
 Percent Weighing	 Parts counting
 Newton unit measurement	 Statistics
 GLP Procedures	 Animal weighing
 Replaceable unit	 Statistical Quality Control
 Wi-Fi	

## ►► Datasheet

Metrological parameters	
Maximum capacity [Max]	310g
Minimum load	10mg
Readability [d]	0.1mg
Verification scale interval [e]	1mg

<b>Metrological parameters</b>	
Tare range	-310 g
Standard repeatability [5% Max]	0,07 mg
Standard repeatability [Max]	0,1 mg
Standard minimum weight (USP)	140 mg
Standard minimum weight (U=1%, k=2)	14 mg
Permissible repeatability [5% Max]	0,12 mg
Permissible repeatability [Max]	0,15 mg
Linearity	±0,2 mg
Stabilization time	2,5 s
Adjustment	internal (automatic)
OIML Class	I

<b>Physical parameters</b>	
Leveling system	manual
Display	5" graphic color touchscreen
Delivery components	Balance, weighing pan, weighing pan shield, bottom cover, power supply
Weighing chamber dimensions	190×190×222 mm
Weighing pan dimensions	ø100 mm
Packaging dimensions	495×400×515 mm
Net weight	7,3 kg
Gross weight	9,3 kg
Protection class	IP 43

<b>Features of use</b>	
Database capacity	7
Touch-free operation	2 IR Sensors

<b>Communication interface</b>	
Communication interface	RS232, 2×USB-A (interchangeable), USB-B, Wi-Fi, Ethernet

<b>Electrical parameters</b>	
Power supply	Adapter: 100 or 240V AC 50/60Hz 0,6A; 12V DC 1,2A Balance: 12 – 15V DC 0,8A max
Power consumption max.	4 W

<b>Environmental conditions</b>	
Operating temperature	+10 ÷ +40 °C
Relative humidity	40% ÷ 80%

Repeatability is expressed as a standard deviation from 10 weighing cycles. Stabilization time depends on the ambient conditions and the dynamics of weighing pan loading; specified for FAST profile. 1 Barcode scanners, available as weighing instrument accessory, communicate with the instrument via RS232 interface exclusively.

## ►► Accessories

Antivibration Tables

Holders for laboratory flasks

Barcode scanners

Cigarette lighter receptacle power supply cables

Density determination KIT

USB cable (scale - printer)

Receipt Printer

Professional weighing table

Holders for test tubes and filters

Workstation for Pipettes Calibration

Displays

Protective cover for balances

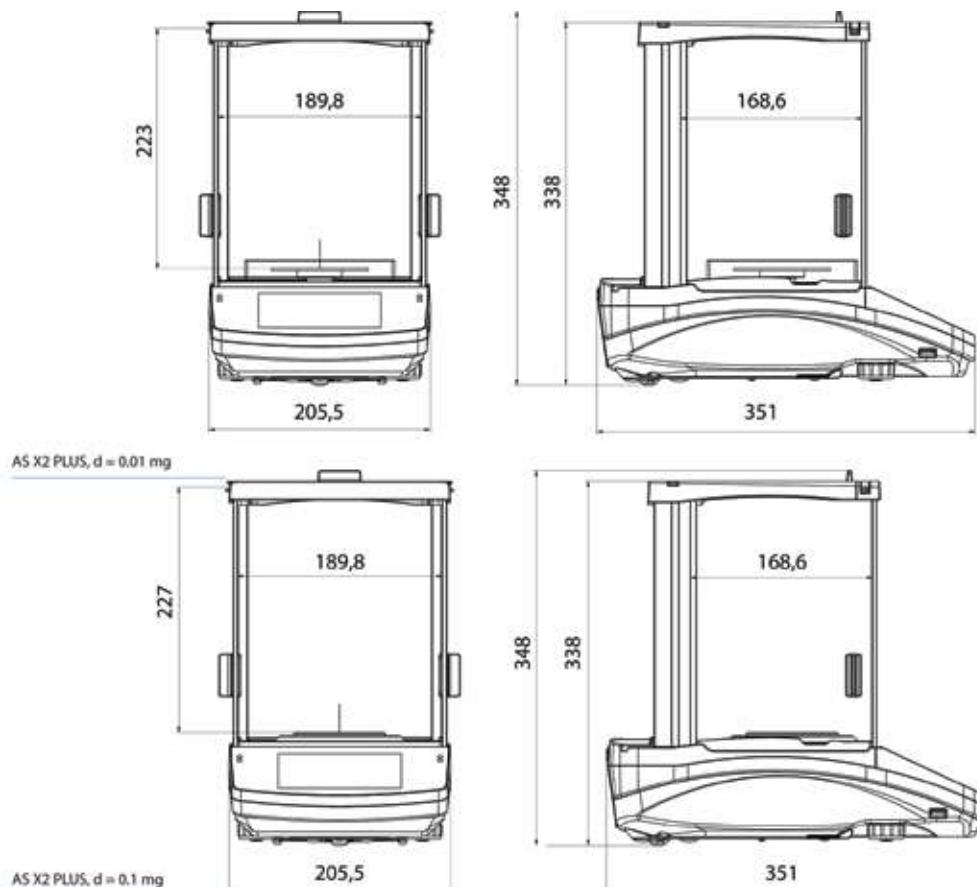
Antistatic ionizer

RS 232, RS 485 cables

Under-Pan Weighing Rack

RS 232 cables (scale - printer)

## ►► Device dimensions



## HPLC Servicing, Validation, Trainings and Preventive Maintenance :

**HPLC Servicing** :HPLC Servicing : We have team of service engineers who can attend to any make of HPLC promptly @the most affordable cost.

**Trainings** :We also take up preventive Maintenance to reduce downtime of HPLC's Trainings.

**AMC's/CMC** :AMC's/CMC :We offer user training both in-House and at customer sites on HPLC principles, operations, trouble-shooting.

**Validations** :Validations :We have protocols for carrying out periodic Validations as per GLP/GMP/USFDA norms.

**Instruments** :Instruments :We offer instruments/Renting Services Modules like pumps,detector etc. on Rent.



## About Analytical Technologies

Analytical Technologies is synonymous for offering technologies for doing analysis and is the Fastest Growing Global Brand having presence in at least 96 countries across the global. Analytical Technologies Limited is an ISO:9001 Certified Company engaged in Designing, Manufacturing, Marketing & providing Services for the Analytical, Chromatography, Spectroscopy, Bio Technology, Bio Medical, Clinical Diagnostics, Material Science & General Laboratory Instrumentation. Analytical Technologies, India has across the Country operations with at least 4 Regional Offices, 6 Branch Offices & Service Centers. Distributors & Channel partners worldwide.

## Our Products & Technologies



UV/VIS  
Spectro 2080+  
Double Beam



Infra FTIR



Optima Gas  
Chromatograph  
3007



Optima Gas  
Chromatograph  
2979 Plus



Flash  
Chromatograph



Atomic Absorption  
Spectrophotometer



Liquid Particle  
Counter



Optical Emission  
Spectrophotometer



DSC/TGA



Semi Auto Bio  
Chemistry Analyzer



HEMA 2062  
Hematology  
Analyzer



Micro Plate  
Reader/Washer



URINOVA 2800  
Urine Analyzer



Total Organic  
Carbon 3800



Fully Automated  
CLIA



NOVA-2100  
Chemistry Analyzer



PCR/Gradient PCR/  
RTPCR



TOC  
Analyzer



Laser Particle  
Size Analyzer



Ion Chromatograph



Water purification  
system



## Regulatory compliances



## Corporate Social Responsibility

Analytical Foundation is a nonprofit organization (NGO) found for the purpose of:



# Analytical Foundation

1. Research & Innovation Scientist's awards/QC Professional Award : Quality life is possible by innovation only and the innovation is possible by research only, hence ANALYTICAL FOUNDATION is committed to identify such personalities for their contributions across various field of Science and Technology and awarding them yearly. To participate for award, send us your details of research / testing / publication at [Info@analyticalfoundation.org](mailto:Info@analyticalfoundation.org)

2. Improving quality of life by offering YOGA Training courses, Work shops/Seminars etc.

3. ANALYTICAL FOUNDATION aims to DETOXYFY human minds,souls and body by means of yoga, Meditation, Ayurveda, Health Care, Awards, Media, Events, Camps etc.



**HPLC Solutions   MultipleLabs   Analytical Bio-Med   Analytical Distributors   Analytical Foundation (Trust)**

**Corporate & Regd. Office:**  
Analytical House, # E67 & E68,  
Ravi Park, Vasna Road, Baroda,  
Gujarat 390 015. INDIA

T: +91 265 2253620  
+91 265 2252839  
+91 265 2252370  
F: +91 265 2254395

E: [info@hplctechnologies.com](mailto:info@hplctechnologies.com)  
[info@multiplelabs.com](mailto:info@multiplelabs.com)  
[info@analyticalgroup.net](mailto:info@analyticalgroup.net)  
[info@analyticalbiomed.com](mailto:info@analyticalbiomed.com)

W: [www.analycalgroup.net](http://www.analycalgroup.net)  
[www.hplctechnologies.com](http://www.hplctechnologies.com)  
[www.multiplelabs.com](http://www.multiplelabs.com)  
[www.ais-india.com](http://www.ais-india.com)

Sales & Support Offices:  
across the country :  
Distributors & Channel  
partners World Wide